

MultiVideo™ Application Diagram

- Use only High Resolution cables on MultiVideo switches.
- Level 1 is Keyboard, Mouse and 1st Video, using stock cables.
- Levels 2 - 4 Only require video, thus the 0000 in the cable part number.
- Cable part numbers shown in figure 1 are samples for a typical PC setup.
- Substitute cables as needed for the switch platform and CPU/KVM types.

Figure 1 - Side Profile with Cabling to a PC CPU

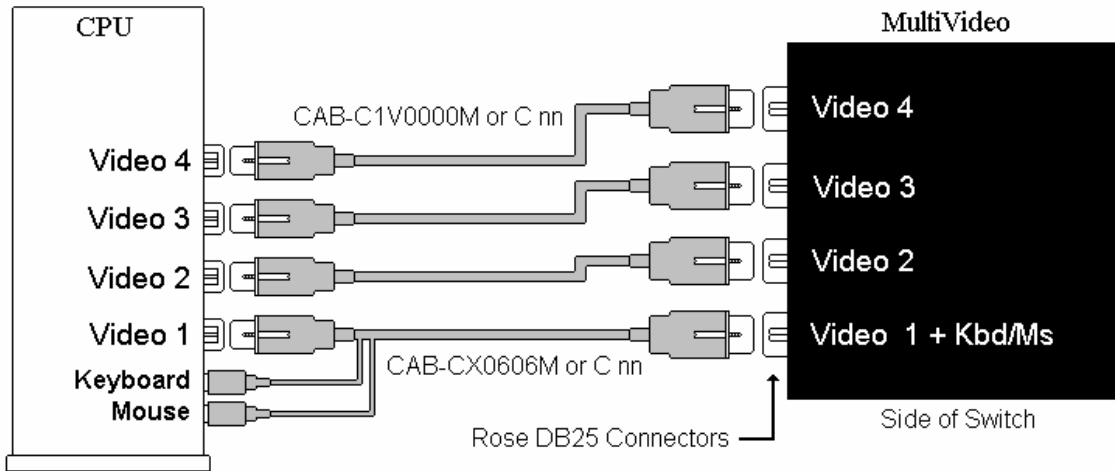
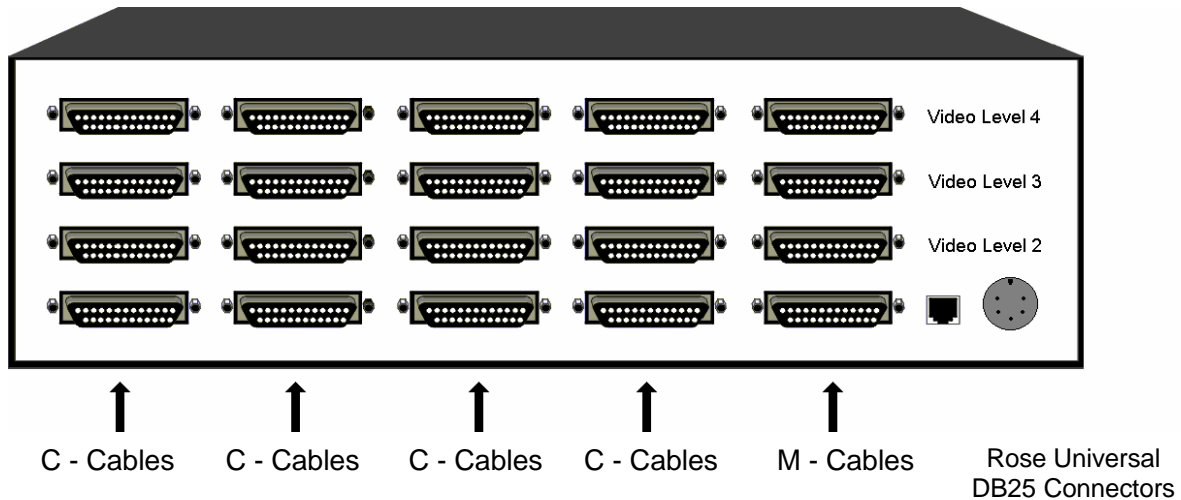


Figure 2 - Back of a MultiVideo model for up to 4 CPU's with 4 Video's



Secondary Video Cables

- Uses Regular Hi-Res Cables etc. on the KVM & CPU ports - Use the below cables for the other video connectors
- | | | |
|-------------------|---|-------|
| CAB-C1V0000Mnnn | MultiVideo Cable for 2nd, 3rd & 4th video on common port. (VGA HD15F) | Cat D |
| CAB-C1Y0000Cnnn | MultiVideo Cable for 2nd, 3rd & 4th video on CPU ports. (VGA HD15M) | Cat D |
| CAB-SB0000Mnnn | MultiVideo Cable for 2nd, 3rd & 4th video on common port. (Sun 13W3F) | Cat D |
| CAB-SC0000Cnnn | MultiVideo Cable for 2nd, 3rd & 4th video on CPU port. (Sun 13W3M) | Cat D |
| CAB-S13W30000Mnnn | MultiVideo Cable for 2nd, 3rd & 4th video on common port. (SGI 13W3F) | Cat D |
| CAB-S13W30000Cnnn | MultiVideo Cable for 2nd, 3rd & 4th video on CPU port (SGI 13W3M) | Cat D |

NOTICE! This documentation is proprietary and confidential and may contain information that is protected by law and is intended only for the use of the person or office to whom it is sent by Rose Electronics. Please be advised that all others are hereby notified that the receipt of this document does not waive any applicable privilege or exemption for disclosure, and that any dissemination, distribution, or copying of this communication without the express permission of Rose Electronics is prohibited.