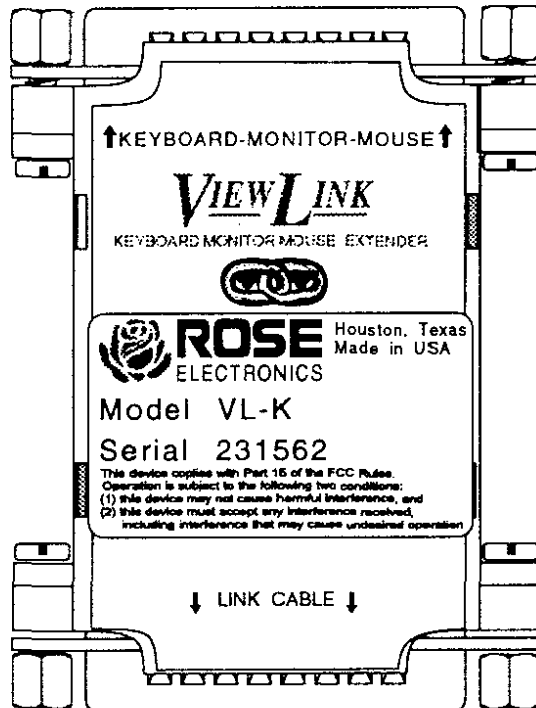


VIEWLINK

KEYBOARD-MONITOR-MOUSE EXTENDER



FOR PC, APPLE, AND SUN COMPUTERS



Make the Rose Connection



PO BOX 742571 ■ HOUSTON, TEXAS 77274 ■ TEL (713)933-7673

LIMITED WARRANTY

Rose Electronics warrants the ViewLink™ to be in good working order for one year from the date of purchase from Rose Electronics or an authorized dealer. Should this product fail to be in good working order at any time during this one year warranty period, Rose Electronics will, at its option, repair or replace the Unit as set forth below. Repair parts and replacement units will be either reconditioned or new. All replaced parts become the property of Rose Electronics. This limited warranty does not include service to repair damage to the Unit resulting from accident, disaster, abuse, or unauthorized modification of the Unit, including static discharge and power surges.

Limited Warranty service may be obtained by delivering this unit during the one year warranty period to Rose Electronics or an authorized repair center providing a proof of purchase date. If this Unit is delivered by mail, you agree to insure the Unit or assume the risk of loss or damage in transit, to prepay shipping charges to the warranty service location, and to use the original shipping container or its equivalent. You must call for a return authorization number first. Under no circumstances will a unit be accepted without a return authorization number. Contact an authorized repair center or Rose Electronics for further information.

ALL EXPRESS AND IMPLIED WARRANTIES FOR THIS PRODUCT INCLUDING THE WARRANTIES OF MERCHANTABILITY AND FITNESS FOR A PARTICULAR PURPOSE, ARE LIMITED IN DURATION TO A PERIOD OF ONE YEAR FROM THE DATE OF PURCHASE, AND NO WARRANTIES, WHETHER EXPRESS OR IMPLIED, WILL APPLY AFTER THIS PERIOD. SOME STATES DO NOT ALLOW LIMITATIONS ON HOW LONG AN IMPLIED WARRANTY LASTS, SO THE ABOVE LIMITATION MAY NOT APPLY TO YOU.

IF THIS PRODUCT IS NOT IN GOOD WORKING ORDER AS WARRANTIED ABOVE, YOUR SOLE REMEDY SHALL BE REPLACEMENT OR REPAIR AS PROVIDED ABOVE. IN NO EVENT WILL ROSE ELECTRONICS BE LIABLE TO YOU FOR ANY DAMAGES INCLUDING ANY LOST PROFITS, LOST SAVINGS OR OTHER INCIDENTAL OR CONSEQUENTIAL DAMAGES ARISING OUT OF THE USE OF OR THE INABILITY TO USE SUCH PRODUCT, EVEN IF ROSE ELECTRONICS OR AN AUTHORIZED DEALER HAS BEEN ADVISED OF THE POSSIBILITY OF SUCH DAMAGES, OR FOR ANY CLAIM BY ANY OTHER PARTY.

SOME STATES DO NOT ALLOW THE EXCLUSION OR LIMITATION OF INCIDENTAL OR CONSEQUENTIAL DAMAGES FOR CONSUMER PRODUCTS, SO THE ABOVE MAY NOT APPLY TO YOU. THIS WARRANTY GIVES YOU SPECIFIC LEGAL RIGHTS AND YOU MAY ALSO HAVE OTHER RIGHTS WHICH MAY VARY FROM STATE TO STATE.

NOTE: This equipment has been tested and found to comply with the limits for a Class A digital device, pursuant to Part 15 of the FCC Rules. These limits are designed to provide reasonable protection against harmful interference when the equipment is operated in a commercial environment. This equipment generates, uses, and can radiate radio frequency energy and, if not installed and used in accordance with the instruction manual, may cause harmful interference to radio communications. Operation of this equipment in a residential area is likely to cause harmful interference in which case the user will be required to correct the interference at his own expense.

© Copyright Rose Electronics 1995-1996. All rights reserved.

No part of this manual may be reproduced, stored in a retrieval system, or transcribed in any form or any means, electronic or mechanical, including photocopying and recording, without the prior written permission of Rose Electronics.

PS/2 is a trademark of International Business Machines Corp.
Apple and Macintosh are trademarks of Apple Computer, Inc.
Sun is a registered trademark of Sun Microsystems Inc.

Rose Electronics Part # MAN-VL13

Printed in the United States of America ■ Revision 1.3

FEATURES

- Extends PC, Apple, or Sun keyboard, mouse, and monitor up to 250 feet from computer
- Direct connect to Rose switches such as ServeView or StationMaster
- Small size and application transparent
- One-year warranty
- Designed and manufactured in the USA

INTRODUCTION

Your ViewLink package includes two ViewLink units, your warranty registration card, and this manual. There may also be a power adapter and CPU or keyboard cables depending upon which model you have ordered. The ViewLink units connect to each other with a LINK cable. This cable is purchased separately and is required for installation.

ViewLink units work in pairs, and can be thought of as a transmitter unit and a receiver unit connected by a single cable. Each unit plugs into one end of the equipment to be interconnected. The two units are then connected with the LINK cable. The ViewLink cable extender units are truly plug-and-play. Once connected to the equipment the extender system acts like a regular cable. There are no user installation steps other than connecting the units.

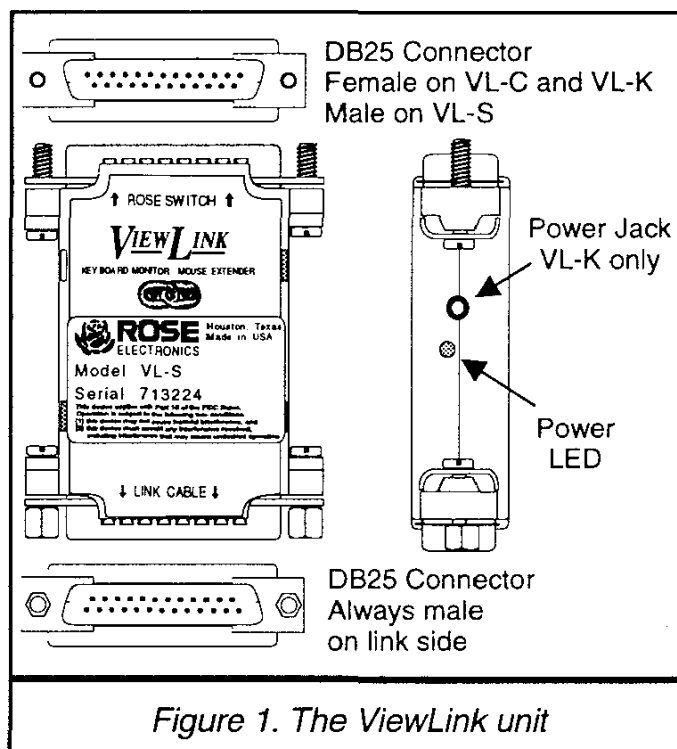
Figure 1 illustrates the ViewLink unit. There are 3 types of ViewLink units. Model VL-C is used on the CPU side. Model VL-K is used on the KB side. Model VL-S is used with Rose switches. There is a DB25 connector at each end of the ViewLink unit. One end is always a male connector and is marked LINK CABLE. The LINK cable is always a female to female cable and connects to this end. The other DB25 connector is either male or female depending upon the model. It connects to your equipment through a cable or directly to a Rose switch.

The VL-C, VL-K, and VL-S are available for three types of computers — PC, Apple, and Sun. PC models have no suffix in the part number. Apple and Sun models have a /AS suffix in the model number.

VL-C models have a female connector at the equipment end and it is marked *COMPUTER*. VL-K models have a female connector at the equipment end and it is marked *KEYBOARD-MONITOR-MOUSE*. VL-S models have a male connector at the equipment end and it is marked *ROSE SWITCH*. The genders of the connectors make it very difficult to connect the system incorrectly.

The LED on the side of the unit lights when the ViewLink is receiving power. When used with Rose switches which indicate CPU power on the front of the switch, the power state of the CPU is passed through correctly, regardless of whether the ViewLink is powered on or not. Model VL-K has a power jack on it for connecting a transformer which powers the keyboard and mouse.

The units are most commonly sold as kits with any cables or transformers bundled in. The LINK cable is always sold separately. There are four applications for the ViewLink product. Please find your application on one of the following four pages by referring to the title at the top of each page. Connect the ViewLink units and cables as shown in the diagram on that page.



INSTALLATION – CPU to Keyboard-Monitor-Mouse

This installation requires the parts shown in the table below. Connect the parts together as shown in Figure 2 below.

The units are most often sold as kits.

Kit part number VLK-CKP is for PCs with PS/2 style mice. It contains items 1a, 2a, 3a, 4a, and 5a.

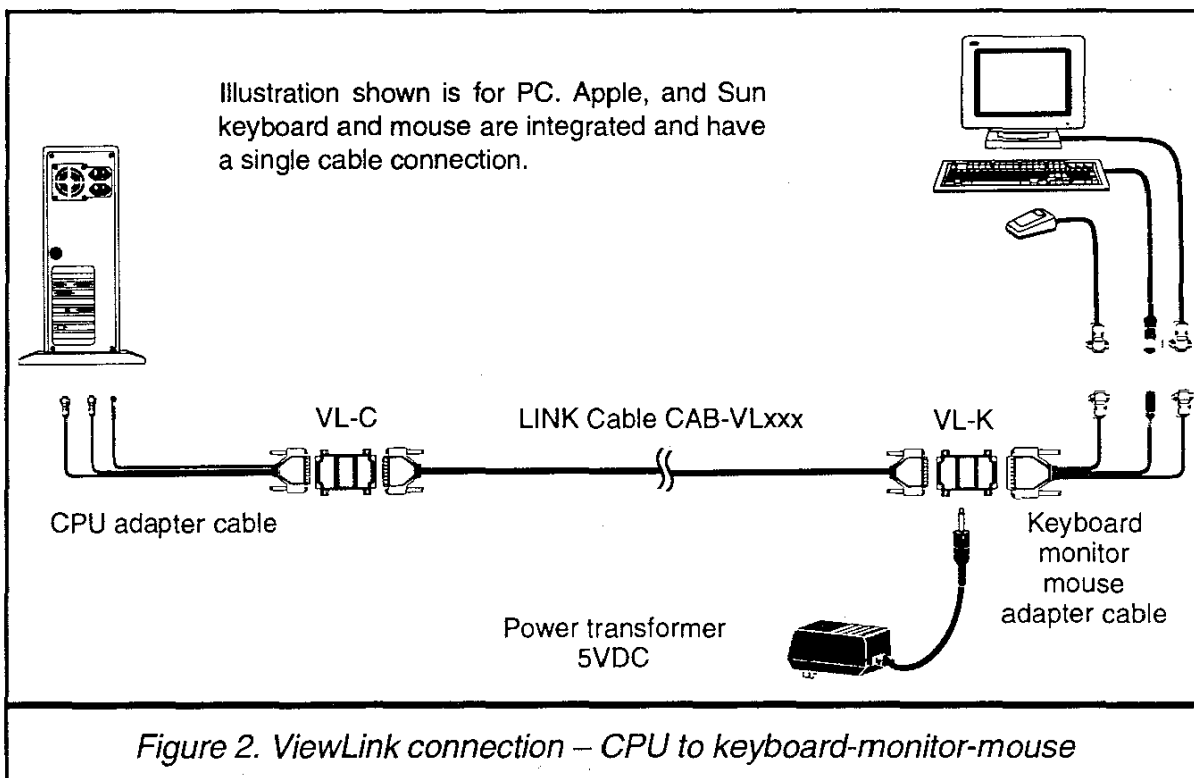
Kit part number VLK-CKR is for PCs with RS232 style mice. It contains items 1a, 2a, 3b, 4b, and 5a.

Kit part number VLK-CK/MAC is for Apple computers. It contains items 1b, 2b, 3c, 4c, and 5a.

Kit part number VLK-CK/SUN is for Sun computers. It contains items 1b, 2b, 3d, 4d, and 5a.

Adding a /220 suffix to the VLK-CKP, VLK-CKR, VLK-CK/MAC, or VLK-CK/SUN will substitute item 5b for 5a.

ITEM	PART NUMBER	DESCRIPTION
1a	VL-C	ViewLink for PCs used on CPU side
1b	VL-C/AS	ViewLink for Apples or Suns used on CPU side
2a	VL-K	ViewLink for PCs used on keyboard side
2b	VL-K/AS	ViewLink for Apples or Suns used on keyboard side
3a	CAB-VX0606C5 (PCs with PS/2 style mouse)	CPU adapter cable used to connect CPU to VL-C
3b	CAB-VX0509C5 (PCs with RS232 style mouse)	
3c	CAB-AV0400C5 (Apple computers)	
3d	CAB-S0800C5 (Sun computers)	
4a	CAB-VX0606M1 (PC with PS/2 style mouse)	Keyboard-monitor-mouse adapter cable used to connect keyboard, monitor, and mouse to VL-K
4b	CAB-VX0509M1 (PC with RS232 style mouse)	
4c	CAB-AV0400M1 (Apple computers)	
4d	CAB-SC0800M1 (Sun computers)	
5a	TFR-05R030W12P-3.5 (120VAC)	Power transformer (5VDC) used on keyboard side
5b	TFR-05S100FU1P-3.5 (220-240VAC)	
6	CAB-VLxxx where xxx is length of cable in feet	Link cable to interconnect VL-C and VL-K



INSTALLATION – Rose Switch to Keyboard-Monitor-Mouse

This installation requires the parts shown in the table below. Connect the parts together as shown in Figure 3 below.

The units are most often sold as kits.

Kit part number VLK-SKP is for PCs with PS/2 style mice. It contains items 1a, 2a, 3a, and 4a.

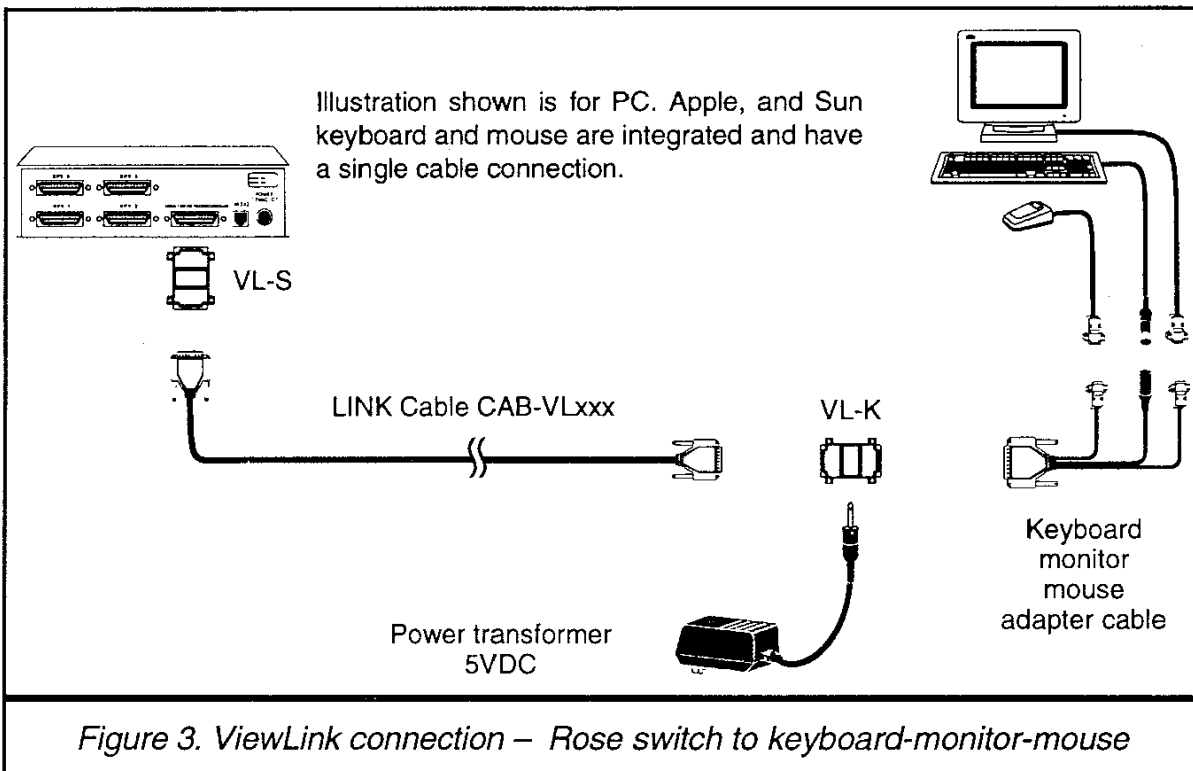
Kit part number VLK-SKR is for PCs with RS232 style mice. It contains items 1a, 2a, 3b, and 4a.

Kit part number VLK-SK/MAC is for Apple computers. It contains items 1b, 2b, 3c, and 4a.

Kit part number VLK-SK/SUN is for Sun computers. It contains items 1b, 2b, 3d, and 4a.

Adding a /220 suffix to the VLK-SKP, VLK-SKR, VLK-SK/MAC, or VLK-SK/SUN will substitute item 4b for 4a.

ITEM	PART NUMBER	DESCRIPTION
1a	VL-S	ViewLink for PCs used on switch side
1b	VL-S/AS	ViewLink for Apples or Suns used on switch side
2a	VL-K	ViewLink for PCs used on keyboard side
2b	VL-K/AS	ViewLink for Apples or Suns used on keyboard side
3a	CAB-VX0606M1 (PCs with PS/2 style mouse)	Keyboard-monitor-mouse adapter cable used to connect keyboard, monitor, and mouse to VL-K
3b	CAB-VX0509M1 (PCs with RS232 style mouse)	
3c	CAB-AV0400M1 (Apple computers)	
3d	CAB-SC0800M1 (Sun computers)	
4a	TFR-05R030W12P-3.5 (120VAC)	Power transformer (5VDC) used on keyboard side
4b	TFR-05S100FUIP-3.5 (220-240VAC)	
5	CAB-VLxxx where xxx is length of cable in feet	Link cable to interconnect VL-S and VL-K



INSTALLATION – CPU to Rose Switch

This installation requires the parts shown in the table below. Connect the parts together as shown in Figure 4 below.

The units are most often sold as kits.

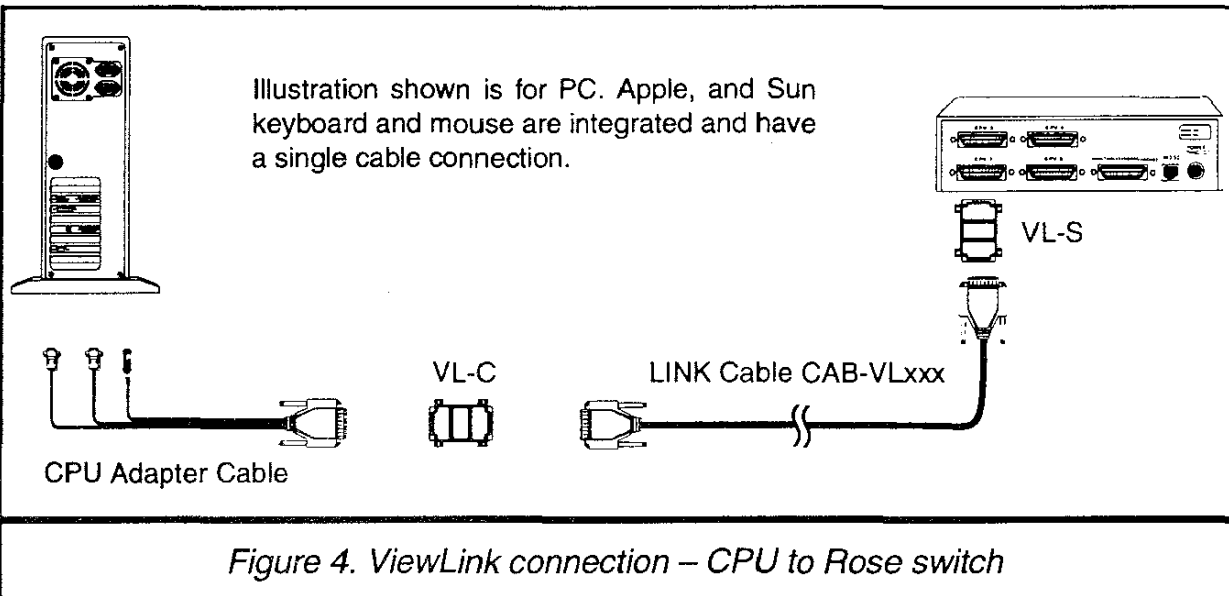
Kit part number VLK-CSP is for PS/2 style mice. It contains items 1a, 2a, and 3a.

Kit part number VLK-CSR is for RS232 style mice. It contains items 1a, 2a, and 3b.

Kit part number VLK-CK/MAC is for Apple computers. It contains items 1b, 2b, and 3c.

Kit part number VLK-CK/SUN is for Sun computers. It contains items 1b, 2b, and 3d.

ITEM	PART NUMBER	DESCRIPTION
1a	VL-C	ViewLink for PCs used on CPU side
1b	VL-C/AS	ViewLink for Apples or Suns used on CPU side
2a	VL-S	ViewLink for PCs used on switch side
2b	VL-S/AS	ViewLink for Apples or Suns used on switch side
3a	CAB-VX0606C5 (PCs with PS/2 style mouse)	CPU adapter cable used to connect CPU to VL-C
3b	CAB-VX0509C5 (PCs with RS232 style mouse)	
3c	CAB-AV0400C5 (Apple computers)	
3d	CAB-SC0800C5 (Sun computers)	
4	CAB-VLxxx where xxx is length of cable in feet	Link cable to interconnect VL-C and VL-S



INSTALLATION – Rose switch to Rose switch

This installation requires the parts shown in the table below. Connect the parts together as shown in Figure 5 below.

The units are most often sold as kits.

Kit part number VLK-SS contains 2 pieces of item 1.

ITEM	PART NUMBER	DESCRIPTION
1	VL-S (two required)	ViewLink used on switch side
2	CAB-VLxxx where xxx is length of cable in feet	Link cable to interconnect VL-S and VL-S

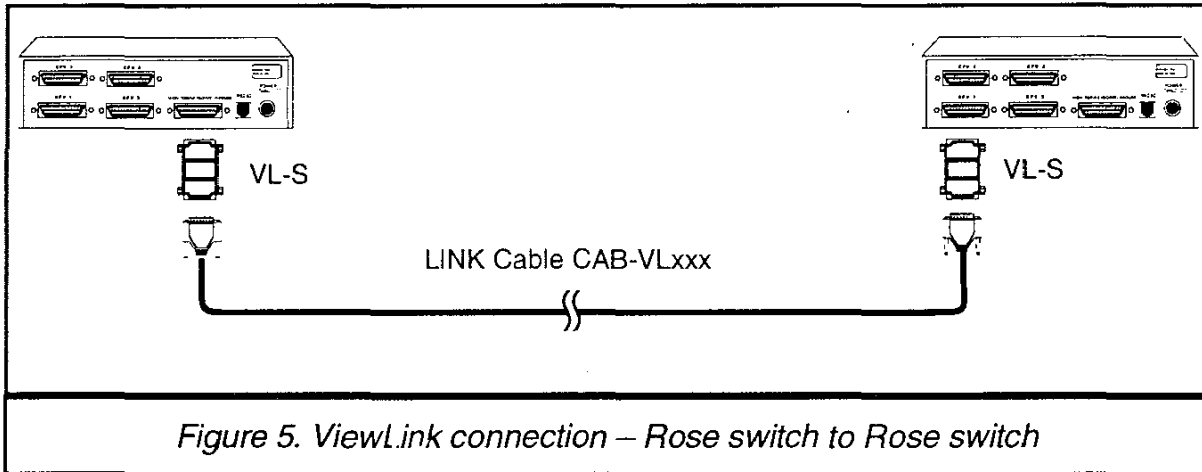


Figure 5. ViewLink connection – Rose switch to Rose switch

SPECIFICATIONS

DIMENSIONS	ViewLink units: 2.5" X 2.1" X .6", 2 oz. Domestic transformer: 10 oz. International transformer: 8 oz. Weight: (applies to /MAC and /SUN models also) VLK-CK Kit: 3 lbs. VLK-SK Kit: 3 lbs. VLK-CS Kit: 2 lbs. VLK-SS Kit: 1 lb.
ENVIRONMENT	0 to 55°C, 0 to 85% humidity non-condensing
POWER	VL-C or VL-C/AS – 5VDC 50ma from CPU VL-K or VL-K/AS – 5VDC 50ma from transformer VL-S or VL-S/AS – 9VDC 50ma from Rose Switch Domestic transformer – Input: 120VAC 60HZ, wall mount Output: 5VDC 300ma, 3.5mm jack International transformer – Input: 100-240VAC 50-60Hz, IEC320 Output: 5VDC 1000ma, 3.5mm jack
CONNECTORS	VL-C or VL-C/AS – LINK: DB25M Computer: DB25F VL-K or VL-K/AS – LINK: DB25M Keyboard-Monitor-Mouse: DB25F VL-S or VL-S/AS – LINK: DB25M Rose Switch: DB25M CAB-VX0606C5 – Video: HD15M KB: MiniDin6M Mouse: MiniDin6M CAB-VX0509C5 – Video: HD15M KB: DIN5M Mouse: DB9F CAB-VX0606M1 – Video: HD15F KB: MiniDin6F Mouse: MD6M CAB-VX0509M1 – Video: HD15F KB: DIN5F Mouse: DB9M CAB-AV0400C5 – Video: DB15M KB/mouse: MiniDin4M CAB-AV0400M1 – Video: DB15F KB/mouse: MiniDin4F CAB-SC0800C5 – Video: 13W3M KB/mouse: MiniDin8M CAB-S0800C5 – Video: 13W3M KB/mouse: MiniDin8M CAB-SC0800M1 – Video: 13W3F KB/mouse: MiniDin8F
INDICATORS	Yellow power LED

Make the Rose Connection



PO BOX 742571 ■ HOUSTON, TEXAS 77274 ■ TEL (713)933-7673